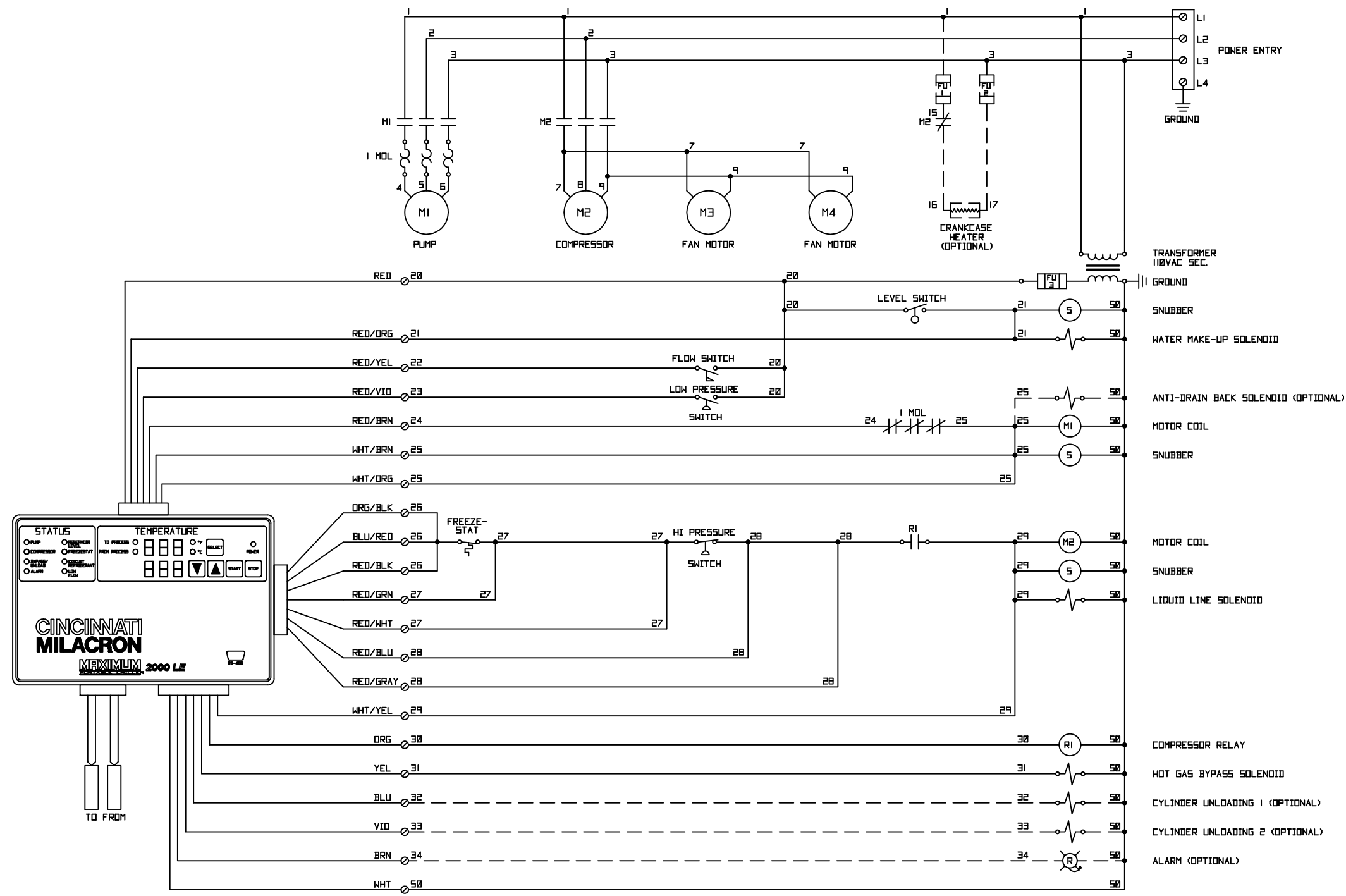


CUSTOMER SUPPLIED SAFETY
DISCONNECT REQUIRED ON OR
ADJACENT TO THIS EQUIPMENT



NO.	DATE	CHK. BY	CHG. BY	CHANGE
2	6/5/98	C.M.		MADE CRANKCASE OPTIONAL
1	8/4/97	C.M.		ADDED ANTI-DRAIN BACK SOLENOID

SCALE	NONE	CIRCLE NUMBER		UNSPECIFIED TOLERANCES ARE AS SHOWN IN CINCINNATI MILACRON DRAWING MANUAL, TFSU SECTION 11	
DRAWN BY	C. MILLER	DATE	7/23/97	NAME	ELECTRICAL SCHEMATIC
CHK. BY		DIST.	MK-2000LE	PROJECT	MCA-7.5/10
APPROVED		STATUS		UNIT	
SUPERSEDED BY		PARTIAL PART		SURFACE OR HEAT TREAT	
SIMILAR TO		INCH		PREFIX	
HEIGHT		MILLI-METER		BASE	CA-800
				SUFFIX	
				REVISION	
				SHEET	OF
CINCINNATI MILACRON		ORIGINAL IN		THIS DRAWING WAS ORIGINATED BY AND IS THE EXCLUSIVE PROPERTY OF CINCINNATI MILACRON INC. IT IS FURNISHED FOR CUSTOMER INFOR- MATION ONLY AND IS NOT AN AUTHORIZATION OR LICENSE TO MAKE THIS CONSTRUCTION OR TO FURNISH THIS INFORMATION TO OTHERS.	