

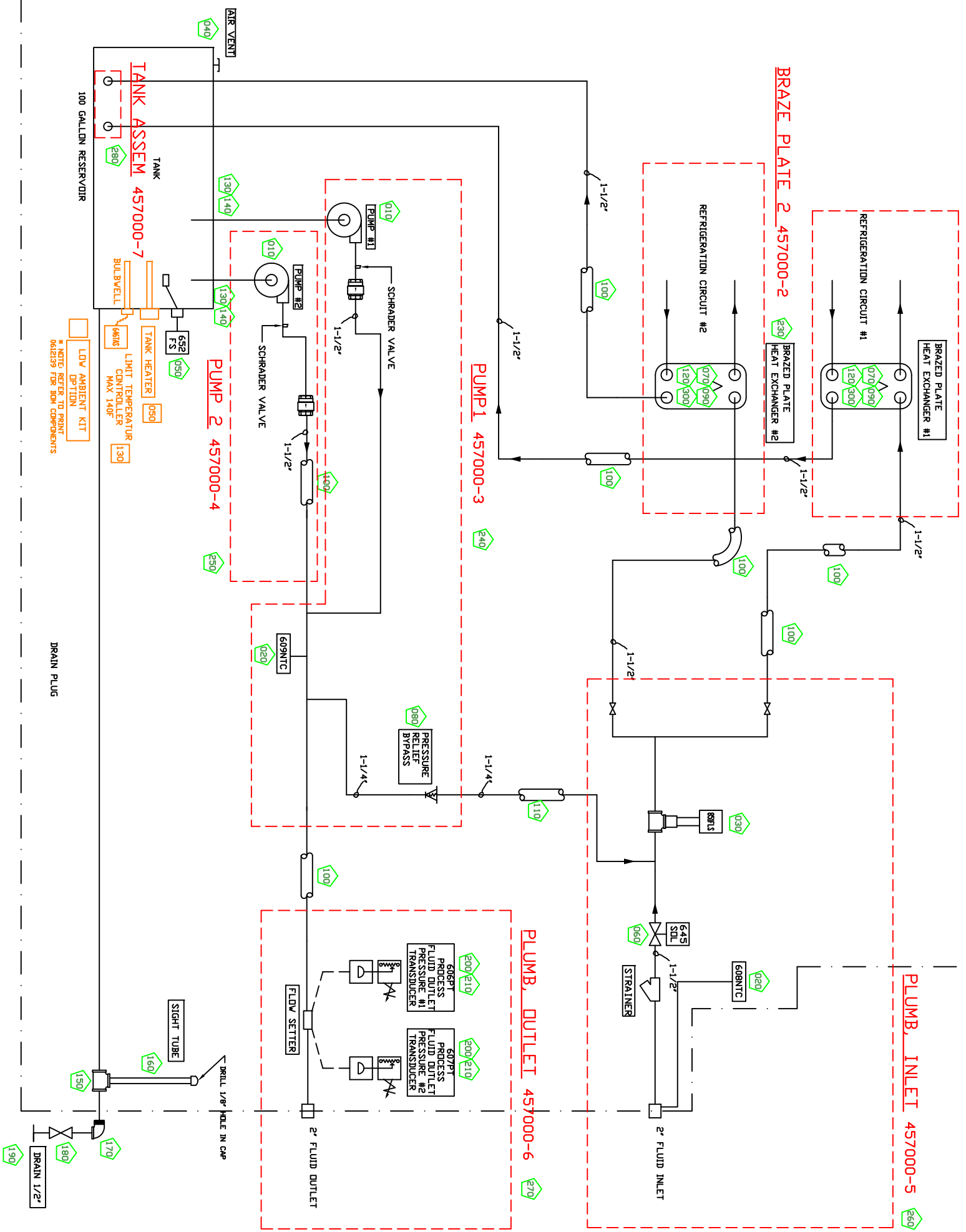
CHILLER INTERNAL

BRAZE PLATE 1 457000-1

BRAZE PLATE 2 457000-2

PLUMB, INLET 457000-5

PLUMB, OUTLET 457000-6



NOTE:
INSULATE TO ES-001
STANDARDS FOR LDW
TEMP APPLICATION,
PER 44°F SETPOINT,
FBR (-L) UNITS.

NOTE:
ALL INTERCONNECTING
PLUMBING TO BE RUN
IN NON-FERROUS MATERIAL,
OTHERWISE CONTACT
ENGINEERING. BDM
COMPONENTS EXCLUDED.

USE FOAM TAPE FOR PLUMBING
INSULATION. DO NOT USE CORK
TAPE.
ARMATLEX REQUIRED ON ANY
EXPOSED HOSE.

* PARTS NOT SHOWN ON
DRAWING DETAIL

ALL DIMENSIONS ARE IN INCHES
THIS PRINT CONTAINS INFORMATION PROPRIETARY
TO DIMPLEX THERMAL SOLUTIONS. MAY NOT BE
DUPLICATED, REPRODUCED, OR SHARED IN ANY WAY
WITHOUT THE EXPRESSED WRITTEN CONSENT OF
DIMPLEX THERMAL SOLUTIONS.
CONFIDENTIAL AND PROPRIETARY

DATE	DESCRIPTION OF REVISION	APPROVED BY

NO.	1D/DESCRIPTION	K, K, PART #	QTY	TYPE
001	W2-10000-2P-NF-L-M MCHNG	0457000	2	PC
010	PHR816-3S PUMP VERTICAL STAINLESS	1785007	2	PC
020	1/2" SENSOR ASSEMBLY FOR CARREL	0611318	1	PC
030	MP06176/1 TOK THERMISTOR 10" CARREL	4801215	1	PC
040	COMPRESSION FITTING 1/2" NPT X 3/16"	7504920	1	PC
050	F61B-1C SWITCH FLOW	3653015	1	PC
060	PMB-05-10 AIR VENT 3/8" FENNER	4100003	1	PC
070	L-21N/11A/1/1.6 FLOAT SWITCH	3896118	1	PC
080	82100506 VALVE SOL. 1-1/2" 24VAC	4804232	1	PC
090	K205*30C BRAZED PLATE H/E 12 TON	2200512	2	PC
090	BP INSULATION FOR K205*30C 2200512	0441227-2	2	PC
090	BP INSULATION FOR K205 BACK	0441227-2	2	PC
100	HOSE 1-1/2" RED WINGFOOT 250 PSI	4410004	1	PC
110	HOSE 1-1/4" 569-025-318 PSI	4410003	6	FT
120	GLDUTER # 569-025-318 FRONT	0441227-1	2	PC
130	BP INSULATION FOR K205 FRONT	9800902	4	PC
140	GASKET PUMP RISER TPK8T	9800919	2	PC
150	PUMP RISER 1/2" PVC VALRUS TPK8T	7508600	1	PC
160	BUSHING 1" MPT X 1/2" FPT BR3	7400004	1	PC
170	KK 1" SIGHT GLASS NON-FERROUS	7400800	1	PC
180	TEE 1" PVC CLEAR	7508105	1	PC
190	TEE 1" FPT X 1" FPT X 1" FPT BR3	7408701	1	PC
200	ADAPTER 1" MPT X 1" SLIP MALE PVC40	7508003	1	PC
210	NIPPLE 1" MPT X 3 BR3	7408900	1	PC
220	CAP 1" PVC40	7508900	1	PC
230	ELBOW 90 1/2" MPT X FPT BR3	7504302	1	PC
240	BD-1 VALVE BOILER DRAIN 1/2"	4123051	1	PC
250	CAP 3/4" NATIONAL HOSE BRASS	7506504	1	PC
260	SKT001300 PRESSURE TRANSDUCER	4807276	2	PC
270	SKCC00-5310 GORD SET CARREL 14-1/2"	4807275	2	PC
280	MEDICAL PLUMB - BRAZE PLATE 1	0457000-1	1	PC
290	ELBOW 45 1-1/2" MPT X 1-1/2" HOSE BR3	7512302	2	PC
300	HOSEBAR 1-1/2" MPT X 1-1/2" HOSE BR3	7512901	2	PC
310	MEDICAL PLUMB 2 - BRAZE PLATE 2	0457000-2	1	PC
320	ELBOW 45 1-1/2" MPT X 1-1/2" HOSE BR3	7512302	2	PC
330	HOSEBAR 1-1/2" MPT X 1-1/2" HOSE BR3	7512901	2	PC
340	NIPPLE 1-1/4" MPT X 2-1/2" BR3	0457000-3	1	PC
350	BUSHING 1-1/2" MPT X 1-1/4" FPT BR3	7512605	1	PC
360	600 VALVE CHECK FLUID 1-1/2" BRONZE	4153151	1	PC
370	NIPPLE 1-1/2" MPT X 2-1/2" BR3	7512002	1	PC
380	TEE 1-1/2" X 1-1/2" X 1-1/2" FPT BR3	7512100	1	PC
390	HOSEBAR 1-1/2" MPT X 5 BR3	7512008	1	PC
400	NIPPLE 1-1/2" MPT X 1-1/2" HOSE BR3	7512901	2	PC
410	TEE 1-1/2" X 1-1/2" X 1-1/4" FPT BR3	7512103	1	PC
420	COMPRESSION FITTING 1/8" NPT X 3/16"	7501910	1	PC
430	HOSEBAR 1-1/4" MPT X 1-1/4" HOSE BR3	0457000-4	1	PC
440	NIPPLE 1-1/4" MPT X 2-1/2" BR3	7510002	1	PC
450	BUSHING 1-1/2" MPT X 1-1/4" FPT BR3	7512605	1	PC
460	NIPPLE 1-1/2" MPT X 2-1/2" BR3	4153151	1	PC
470	TEE 1-1/2" X 1-1/2" X 1-1/2" FPT BR3	7512002	1	PC
480	NIPPLE 1-1/2" MPT X 5 BR3	7512008	1	PC
490	HOSEBAR 1-1/2" MPT X 1-1/2" HOSE BR3	7512901	2	PC
500	TEE 1-1/2" X 1-1/2" X 1-1/4" FPT BR3	7512103	1	PC
510	COMPRESSION FITTING 1/8" NPT X 3/16"	7501910	1	PC
520	HOSEBAR 1-1/4" MPT X 1-1/4" HOSE BR3	0457000-4	1	PC
530	NIPPLE 1-1/4" MPT X 2-1/2" BR3	7510002	1	PC
540	BUSHING 1-1/2" MPT X 1-1/4" FPT BR3	7512605	1	PC
550	NIPPLE 1-1/2" MPT X 2-1/2" BR3	4153151	1	PC
560	TEE 1-1/2" X 1-1/2" X 1-1/2" FPT BR3	7512002	1	PC
570	HOSEBAR 1-1/2" MPT X 5 BR3	7512008	1	PC
580	NIPPLE 1-1/2" MPT X 1-1/2" HOSE BR3	7512901	2	PC
590	TEE 1-1/2" X 1-1/2" X 1-1/4" FPT BR3	7512103	1	PC
600	VALVE CHECK FLUID 1-1/2" BRONZE	4153151	1	PC
610	NIPPLE 1-1/2" MPT X 2-1/2" BR3	7512002	1	PC
620	ELBOW 90 1-1/2" MPT X 8 BR3	7512009	1	PC
630	NIPPLE 1-1/2" MPT X 8 BR3	7512300	2	PC
640	TEE 1-1/2" X 1-1/2" X 1-1/4" FPT BR3	7512103	1	PC
650	TEE 1-1/2" X 1-1/2" X 1-1/4" FPT BR3	7512103	1	PC
660	NIPPLE 1-1/2" MPT X 5 BR3	7512008	1	PC
670	BUSHING 1-1/2" MPT X 5 BR3	7512008	1	PC
680	NIPPLE 1-1/4" MPT X 1-1/4" HOSE BR3	7510201	1	PC
690	ELBOW 90 1-1/4" MPT X 2-1/2" BR3	7510201	1	PC
700	HOSEBAR 1-1/4" MPT X 1-1/4" HOSE BR3	7510910	1	PC
710	COMPRESSION FITTING 1/8" NPT X 3/16"	7501910	1	PC
720	COUPLING 2" FPT FULL 304SS	7216201	1	PC
730	MEDICAL PLUMB 7 - TANK	0457000-7	1	PC
740	7/731-1 1/2" Y-STRAINER FILT BRONZE	4353014	1	PC
750	HOSEBAR 1-1/2" MPT X 1-1/2" HOSE BR3	7512901	2	PC
760	BUSHING 2" MPT X 1-1/2" FPT BRASS	7516601	1	PC
770	A31484 VALVE PURGE 1/4" MPT X 5/16" D	7502952	2	PC
780	YR0200-FI/FT 36 GPM FLOW SETTER	4100076	1	PC
790	NIPPLE 2" MPT X 2-1/2" BR3	7516002	1	PC
800	COUPLING 2" FPT FULL 304SS	7216201	1	PC
810	MEDICAL PLUMB 7 - TANK	0457000-7	1	PC
820	HOSEBAR 1-1/2" MPT X 1-1/2" HOSE BR3	7512901	2	PC
830	ELBOW 45 1-1/2" MPT X 1-1/2" HOSE BR3	7512302	1	PC
840	NIPPLE 1-1/2" MPT X 1-1/2" HOSE BR3	7512000	1	PC
850	ELBOW 90 1-1/2" MPT X 1-1/2" HOSE BR3	7512300	1	PC
860	TANK INSULATION - 443585	0444331	1	PC
870	TANK INSULATION SIDE PLAIN - 443585	4449013	1	PC
880	TANK INSULATION BUTTOM - 443585	4449014	1	PC
890	TANK INSULATION END PLAIN - 443585	4449015	1	PC
900	TANK INSULATION END CUT DUT - 443585	4449016	1	PC
910	BP INSULATION FOR 2200512 MIDDLE	0441282-2	2	PC

3C Dimplex
Thermal Solutions
KALAMAZOO, MI
PH (800) 968-5665
WWW.DIMPLEXTHERMAL.COM

DESIGN BY: CJS
DRAWN BY: CJS
DATE: 05/20/13
PAGE 1 OF 1

W02-10000-2P-NF-L-M
PLUMBING
DRAWING NO. 457000