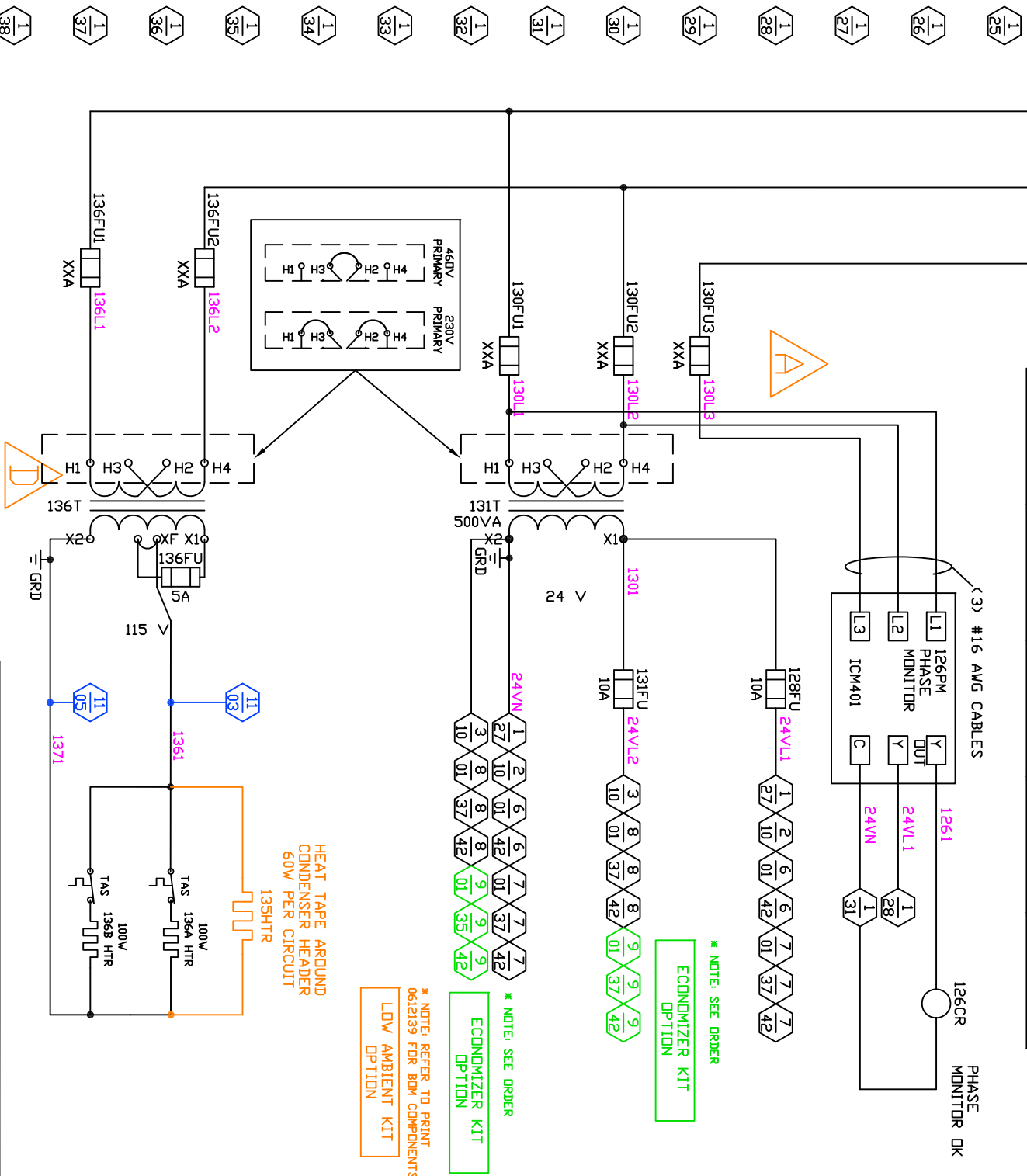


PUMP DATA TABLE

HORSEPOWER	ITEM #	VOLTAGE	FLA (AMPS)	PUMP WIRE (AWG)	FUSE (AMPS)	OVERLOAD SETTING
1.5	1785003	230/3/60	7.0	14	15	8.7
1.5	1785003	460/3/60	3.5	14	15	4.3
2	1785004	230/3/60	11.6	12	20	14.5
2	1785004	460/3/60	5.8	14	15	7.2
3	1785007	230/3/60	12.6	12	20	15.7
3	1785007	460/3/60	6.3	14	15	7.8

TRANSFORMER DATA TABLE

FUSE #	UNIT VOLTAGE	PRIMARY WIRE (AWG)	FUSE (AMPS)	PRIMARY JUMPER
130FU-3	230/3/60	12	6	H1-H3 & H2-H4
130FU-3	460/3/60	12	3	H2-H3
136FU-2	230/3/60	12	6	H1-H3 & H2-H4
136FU-2	460/3/60	12	3	H2-H3



WIRING NOTES:
 (2) #12 AWG WIRES
 (1) SUPPLIER CORD
 644M
 643M

POWER METER KIT OPTION
 * NOTE: REFER TO PRINT 0612140 FOR BDM COMPONENTS

ECONOMIZER KIT OPTION
 * NOTE: SEE ORDER

LOW AMBIENT KIT OPTION
 * NOTE: REFER TO PRINT 0612139 FOR BDM COMPONENTS

PROCESS PUMP #1
 XX HP 3450 RPM
 XX.X FLA

PROCESS PUMP #2
 XX HP 3450 RPM
 XX.X FLA (OPTIONAL)

ECONOMIZER KIT OPTION
 * NOTE: SEE ORDER

LOW AMBIENT KIT OPTION
 * NOTE: REFER TO PRINT 0612139 FOR BDM COMPONENTS

HEAT TAPE AROUND CONDENSER HEADER
 60W PER CIRCUIT
 135HTR
 TAS 100W
 TAS 136A HTR
 TAS 100W
 TAS 136B HTR

****TEW WIRE NOT REQUIRED****

ALL DIMENSIONS ARE IN INCHES
 THIS PRINT CONTAINS INFORMATION PROPRIETARY TO KOOLANT COOLERS. MAY NOT BE DUPLICATED, REPRODUCED, OR SHARED IN ANY WAY WITHOUT THE EXPRESSED WRITTEN CONSENT OF KOOLANT COOLERS.
 CONFIDENTIAL AND PROPRIETARY

Thermal Solutions	SCHNEIDER ELECTRIC
DESIGN BY: MAR	KALAMAZOO, MI
DRAWN BY: MAR	PH (800) 968-5665
DATE: 01/07/10	WWW.DIMPLEXTHERMAL.COM
W0()-(-(2)P-M	
ELECTRICAL	DRAWING NO. 443394