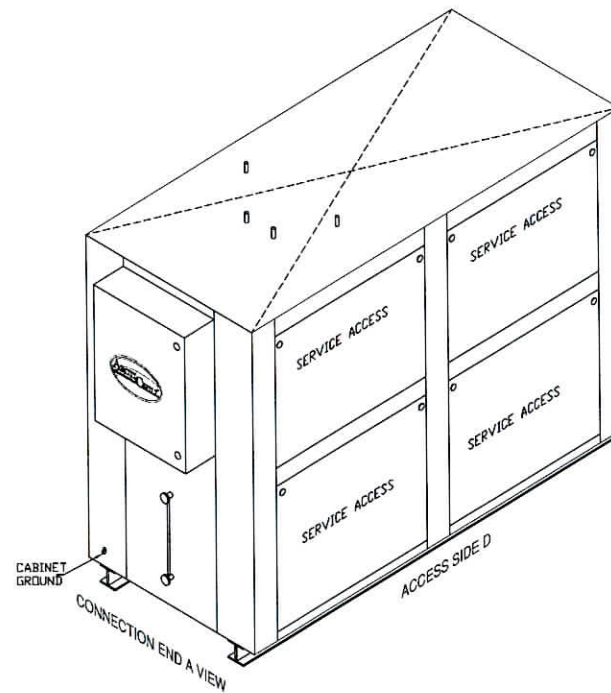
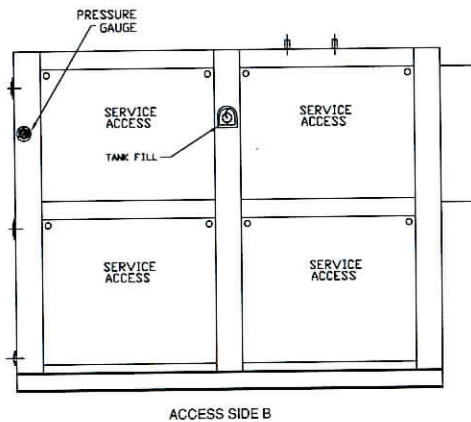
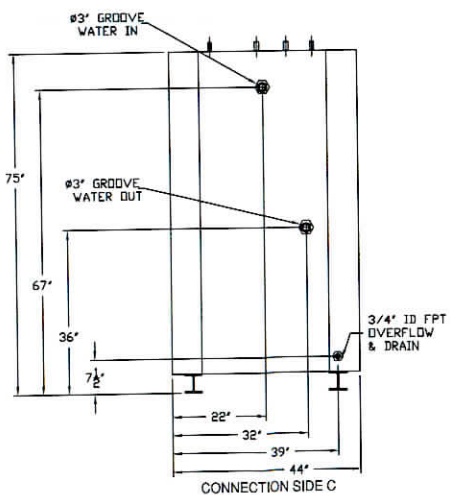


NOTES:

1. PROVIDE 36" CLEARANCE ON SIDES B AND D FOR SERVICE ACCESS.
2. PROVIDE 36" CLEARANCE ON SIDE A FOR ELECTRICAL PANEL SERVICE.
3. ANCHOR BOLT HOLES ARE FOR ANCHORING CHILLER AND NOT FOR LIFTING PURPOSES.



ARCTIC
CHILL
CHILLED WATER SYSTEMS

NOTICE: THIS DRAWING HAS NOT BEEN PUBLISHED AND IS THE SOLE PROPERTY OF 200 PARK, INC. AND IS LOANED TO THE BORROWER FOR HIS CONFIDENTIAL USE ONLY. IN CONSIDERATION OF THE LOAN OF THIS DRAWING, THE BORROWER PROMISES AND AGREES THAT IT SHALL NOT BE REPRODUCED, COPIED, LENT OR OTHERWISE DISPOSED OF DIRECTLY OR INDIRECTLY, NOR USED FOR ANY PURPOSE OTHER THAN FOR WHICH IT IS PROVIDED.

TITLE: *PROCESS 40 TON
AIR COOLED REMOTE
VERTICAL PACKAGE CHILLER
PHYSICAL DIMENSIONS*

MODEL: *PACRPV0400D4*

ENGINEER:

CUSTOMER: FLUID TRANSFER PRODUCTS, INC.

JOB: TWIN CREEKS TECHNOLOGIES

DRAWN BY: CW	REV: 1	REV BY:	DATE: 11/10/08	SCALE: NTS
--------------	--------	---------	----------------	------------

FILE PATH: ACADDWGS\PROCESS\PACRPV\PACRPV40\40\40\CABINET\40TON_C1

DWG# C1